

FIG. 1

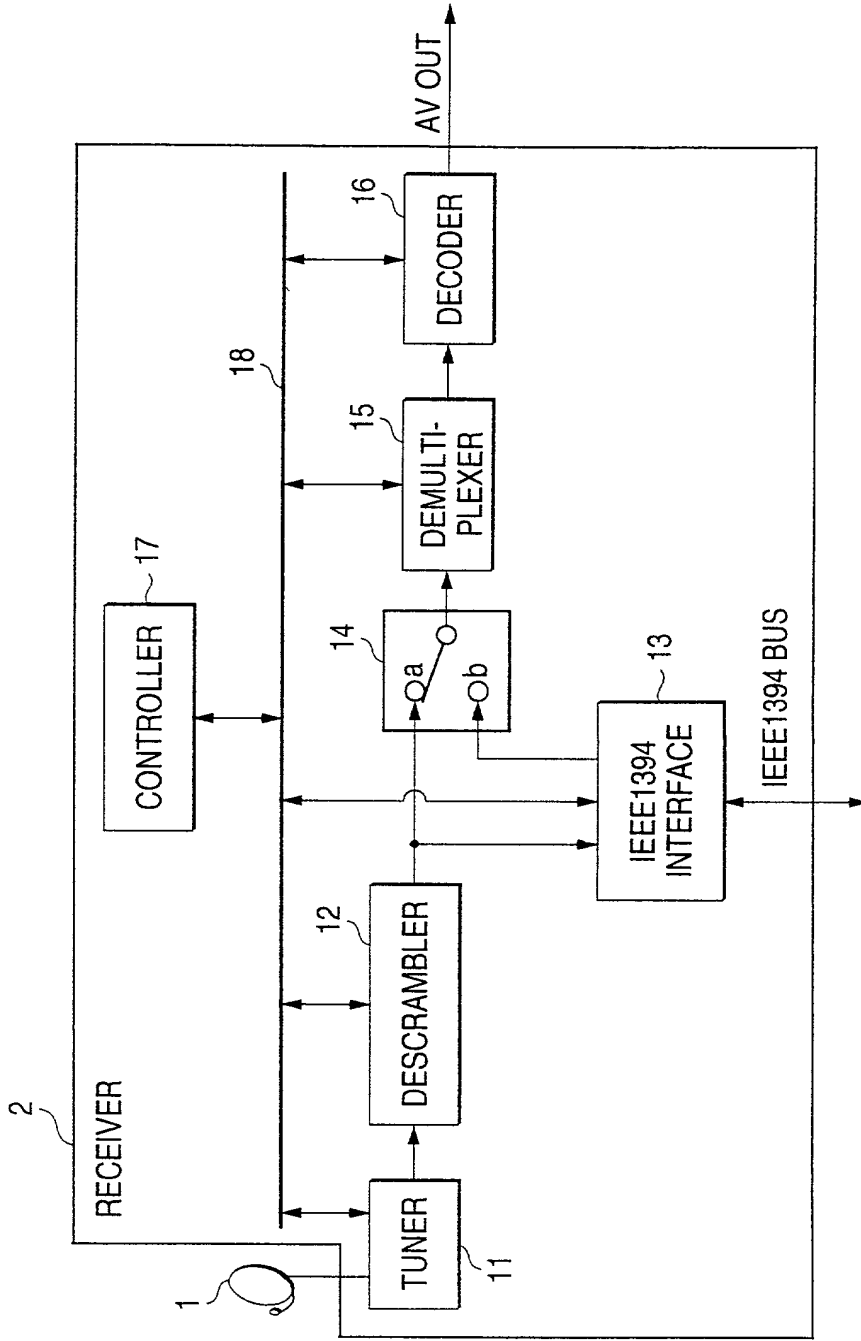
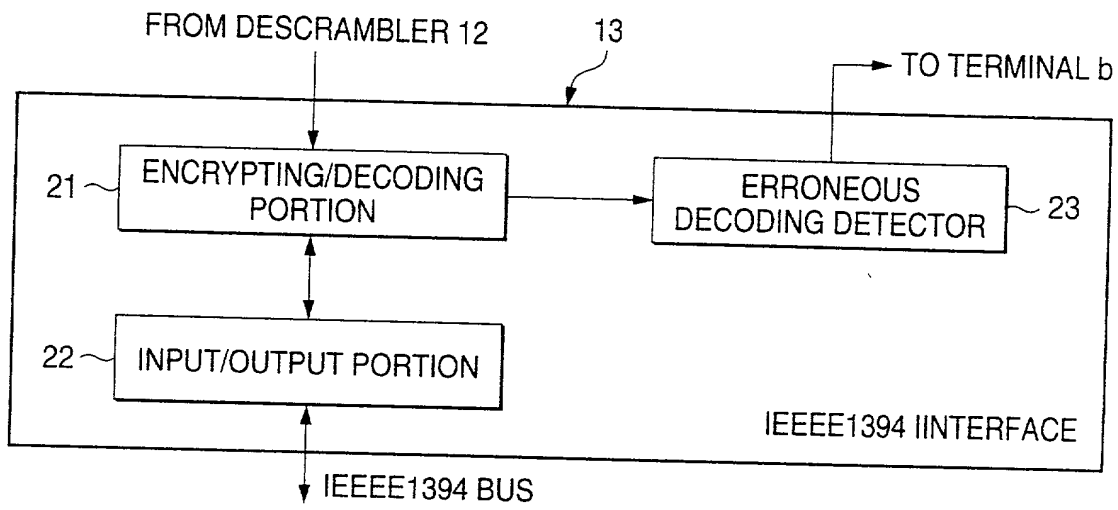
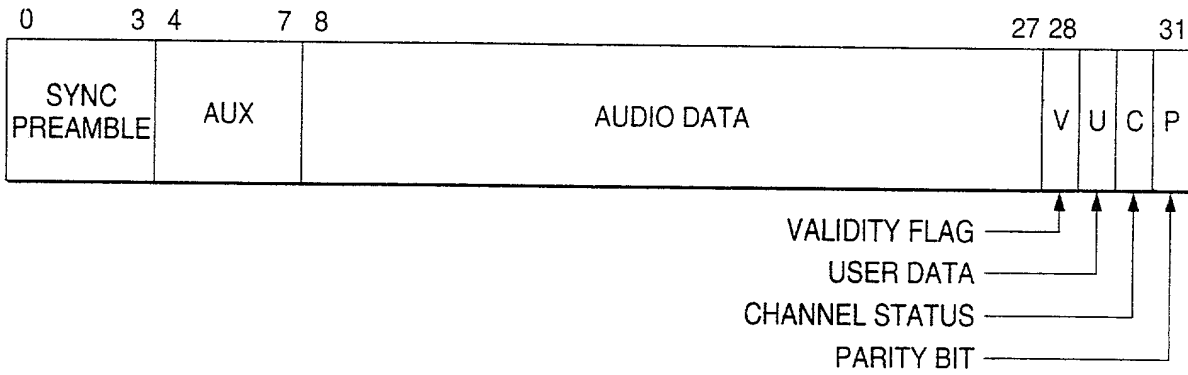


FIG. 2



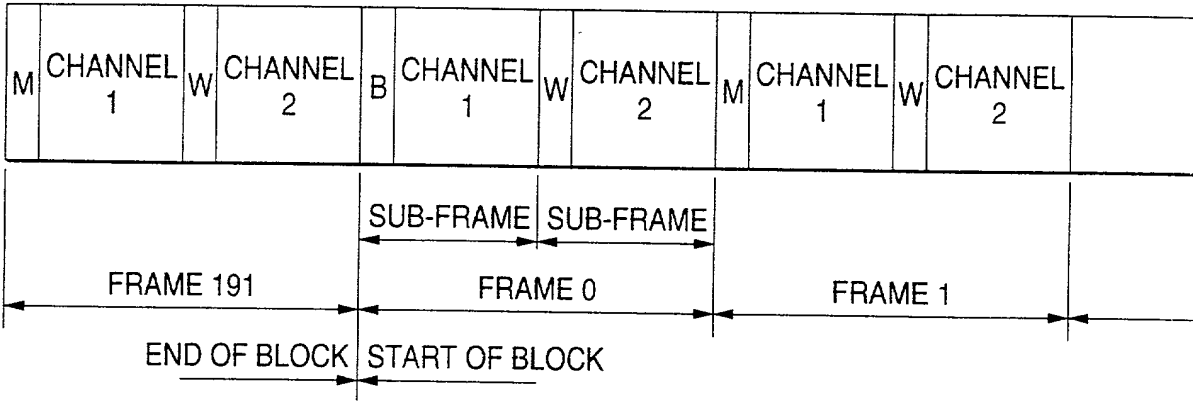
FOR "9249260"

FIG. 3



FOR REFERENCE

FIG. 4



FOR "9249250"

FIG. 5

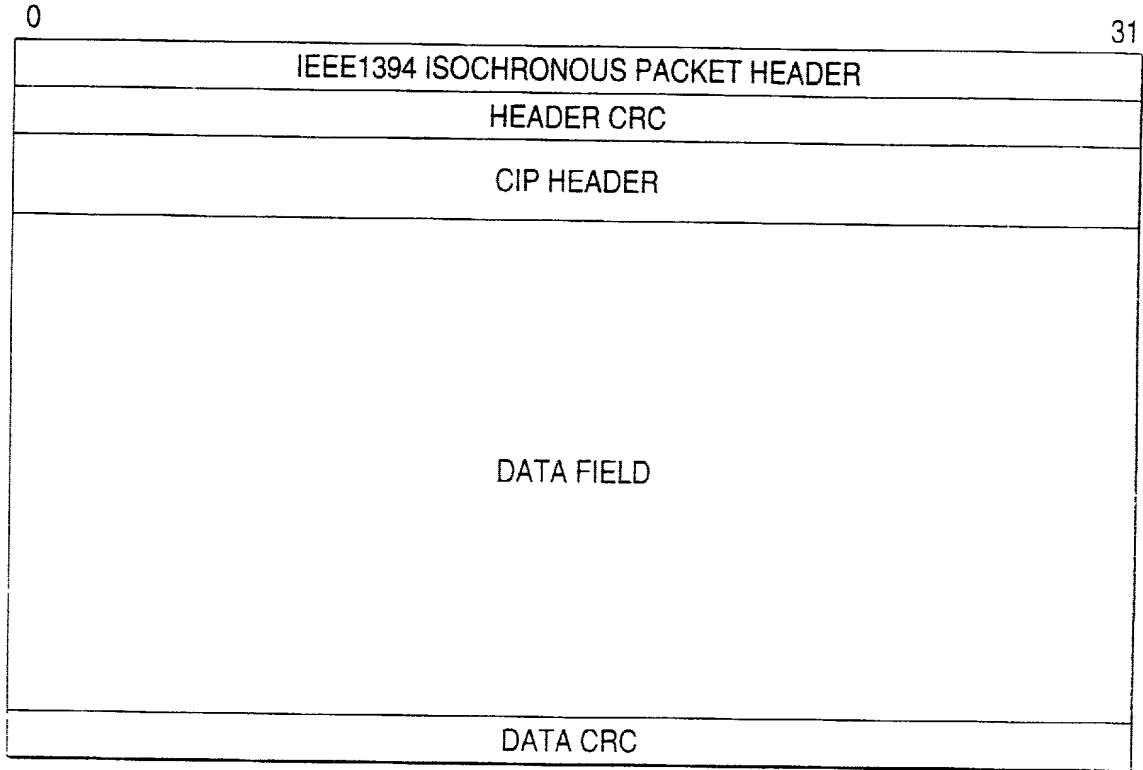
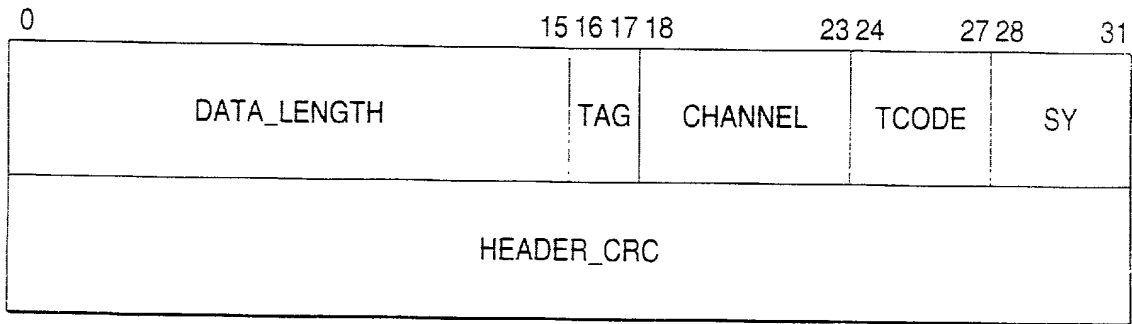


FIG. 6



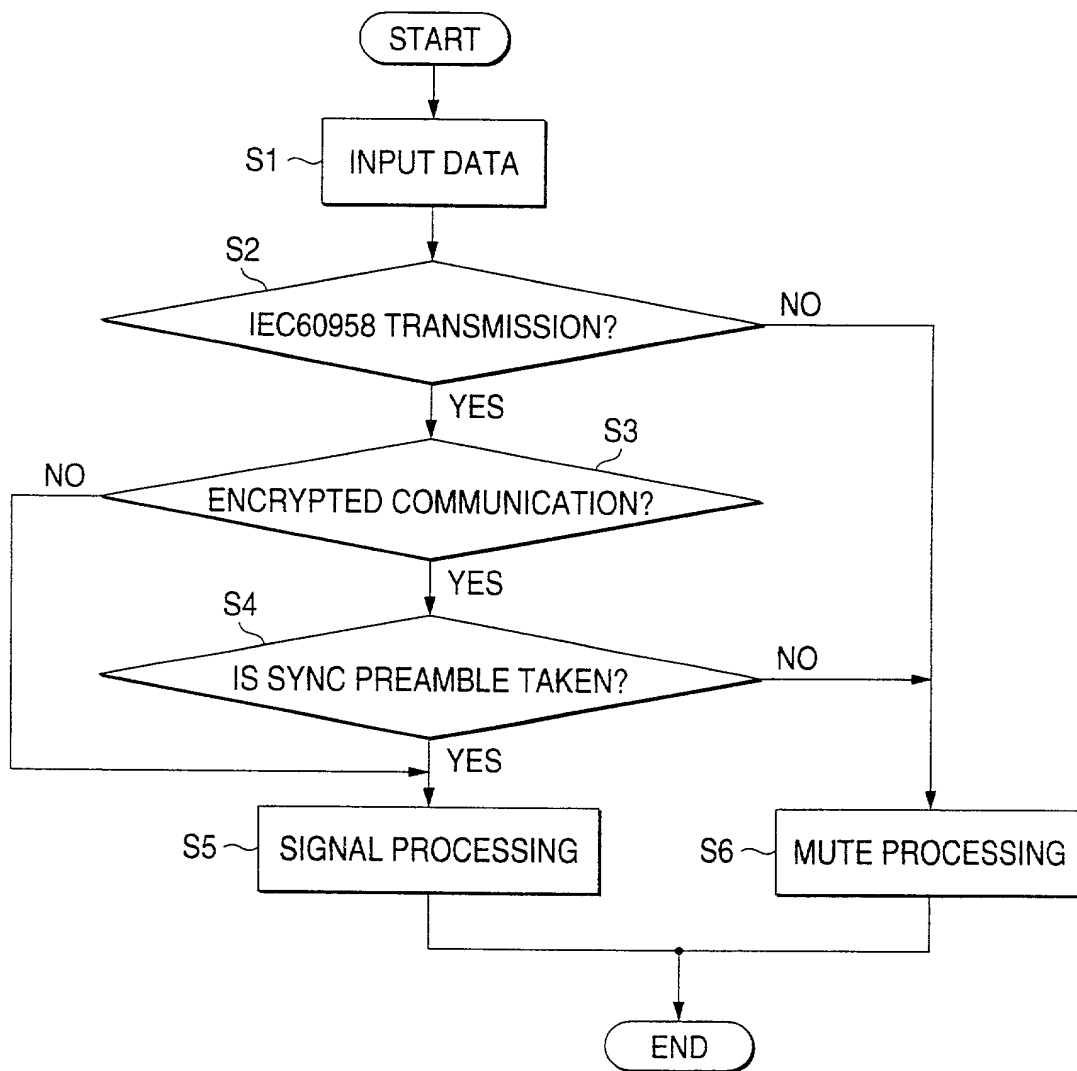
FOR "94B2650"

FIG. 7

0		7 8		15 16 17 18				20	22 23 24			31
0	0	SID		DBS				FN	QPC	SPH	Rsv	DBC
1	0	FMT		FDF				SYT				

REF ID: A2492660

FIG. 8



FOR 929250

FIG. 9

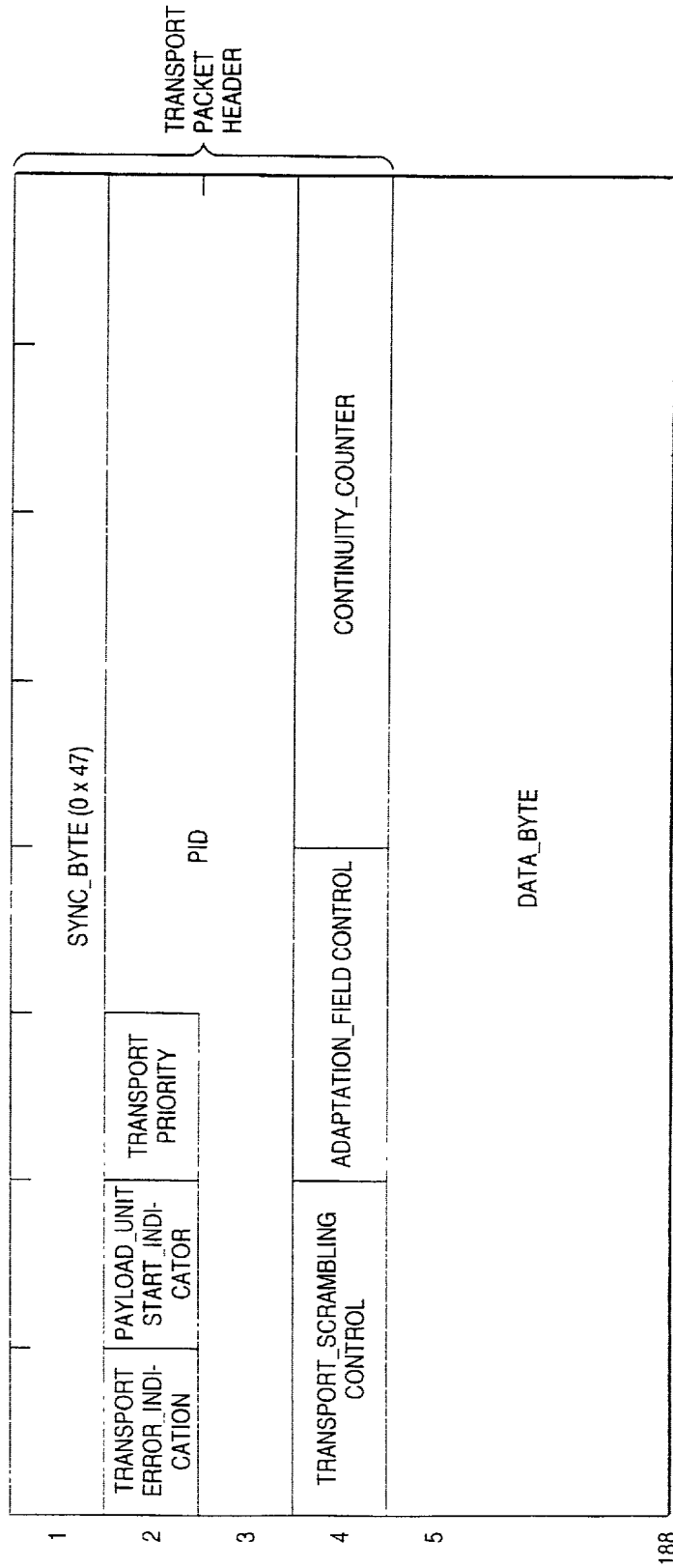
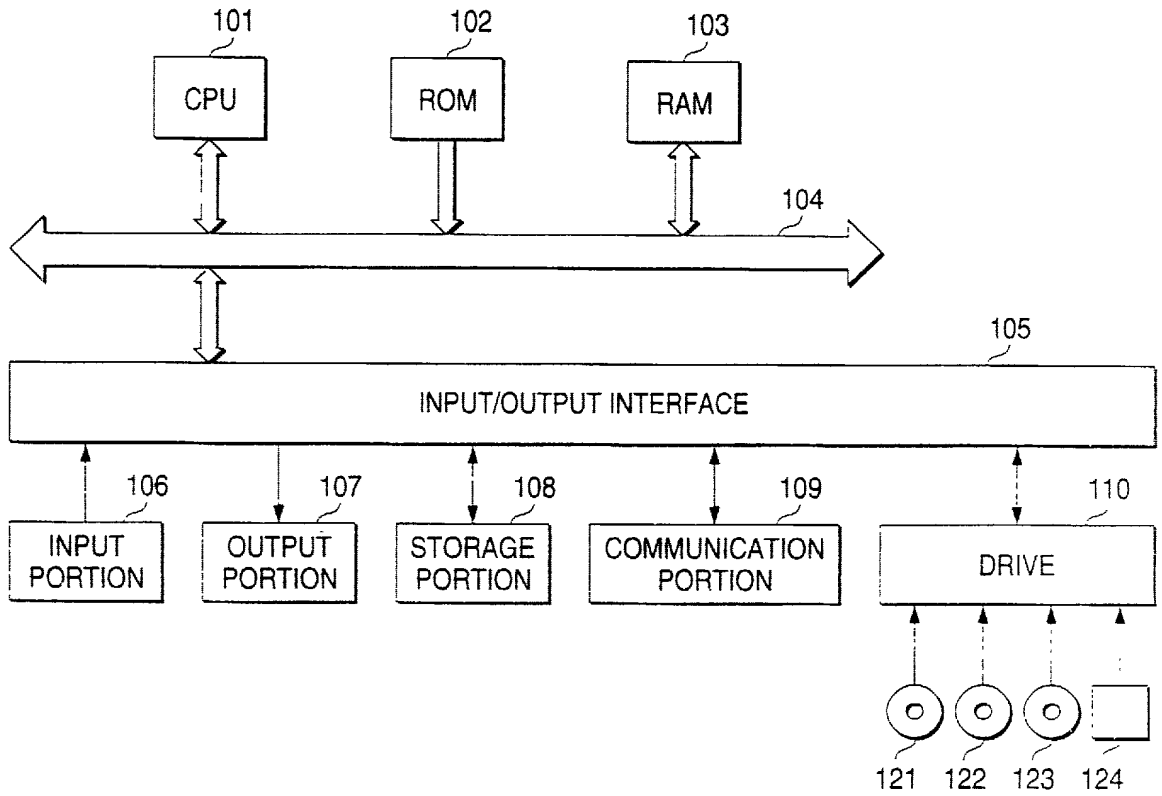


FIG. 11



FOR "9249250